

Surfix® S Series

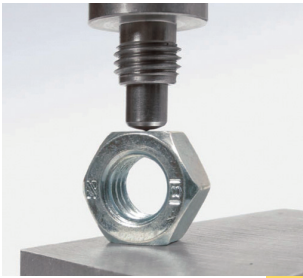
Universal Coating Thickness Gauge: With separate exchangeable probes.

The Surfix® S-Series is a compact, lightweight, multifunctional fully menu driven coating thickness gauge for fast, precise, non-destructive coating thickness measurement for varnish, paint and electroplated coatings on iron/steel and varnish, paint and anodizing coatings on non-ferrous metals and on austenitic stainless steels.

2 Models:	Surfix® S and Surfix® S basic basic: no memory, statistics, limits, IR-interface
8 Probes:	Wide range of probes for universal and special measurement tasks
Measuring Range:	0 – 10 mm (0 – 400 mils)

Probe

All separate exchangeable probes are machined to ultra-high standards and utilize a unique, hard-metal probe tip which prevents probe wear. The V-notched foot of the standard probes provides a stable footing even on small cylindrical parts. It can be removed to expose a "micro-probe" sensor perfect to measure on small measuring areas and in cavities.



Features

- Innovative and user-friendly measuring techniques
- Online statistics with all common parameters
- Data transfer to printer or PC via infrared interface
- The Surfix® S-Series automatically identifies the substrate and activates the appropriate measuring procedure
- Menu in a choice of different languages ensures easy operation
- The uniform contact pressure of the sensor is minimized, preventing scratches & indentations to sensitive surfaces
- Optional high temperature foot for measuring on surfaces up to 150 °C (302 °F)
- Manufacturer's Certificate and one year warranty included



Surfix® S:
The ultimate in
portable precision.

Test-Stand (optional)

- Designed for smooth, repeatable measurements for coating thickness applications
- Spring-loaded lever for fast, precise travel
- Compact size and light weight makes it the ideal test stand for all workplaces



Specifications

for Surfifix® S with FN 1.5 probe

Measuring principle:

Magnetic induction principle (F-Mode) for ferrous metals
Eddy-current principle (N-Mode) for non-ferrous metals
FN-Mode for all metals

Range:

0 – 1500 µm (0 – 60 mils)

Accuracy:

± (1 µm / 0.04 mils + 1 % of reading)

Resolution:

0.1 µm / 0.004 mils or < 0.2 % of reading

Display:

Backlight, 4-digit alphanumeric, height 10 mm (0.4")

Min. Measuring Area:

5 mm x 5 mm (0.2" x 0.2")

Min. Curvature Radius:

Convex: 1.5 mm (0.06")

Concave: 5.0 mm (0.20")

Min. Substrate Thickness:

Ferrous: 0.2 mm / 8 mils

Non-Ferrous: 50.0 µm / 2 mils

Calibration:

Factory-, zero- and foil-calibration

Offset-function: add. or subtract. of a constant value

Memory:

Max. 200 readings

Statistics Program:

Number of readings, mean value, standard deviation,
max. and min. reading

Data Output:

Infrared interface

Operating Temperature:

0°C to +50°C / 32°F to 122°F

Surface Temperature:

-15°C to +60°C / 5°F to 140°F (standard)

-15°C to +150°C / 5°F to 302°F (with optional foot)

Power:

2 AA, 1.5V

Dimensions:

137 mm x 66 mm x 23 mm (5.4" x 2.6" x 0.9")

Weight:

225 g (8 oz) incl. FN 1.5 probe and batteries




Protection Class:

IP 52 (proof against dust and dripping water)

Standards:

DIN, ISO, ASTM, BS

Coating Thickness Probes

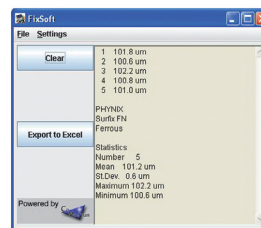
Type	Measuring Range	Style
FN 1.5	0 – 1500 µm (0 – 60 mils)	
F 1.5	0 – 1500 µm (0 – 60 mils)	
N 1.5	0 – 1500 µm (0 – 60 mils)	
FN 0.2	0 – 200 µm (0 – 8 mils)	
FN 3.5	0 – 3500/3000 µm (0 – 140/120 mils)	
F 3.5	0 – 3500 µm (0 – 140 mils)	
F 10	0 – 10 mm (0 – 400 mils)	
FN 1.5/90°	0 – 1500 µm (0 – 60 mils)	

Printer PrintFix (optional)

Portable thermal-printer with an integrated infrared interface for wireless data transfer. It can print values stored in the Surfifix® S gauge quickly and reliably locally or later in the office.



Software FixSoft (optional)



Transfer program for Surfifix® S gauge.

The measurement values are transferred in a pre-compiled template for spreadsheet programs together with a histogram and a trend presentation.

Delivery Schedule

Surfifix® S with e. g. probe FN 1.5:
Gauge incl. probe, 2 calibration foils, ferrous and non-ferrous zero plate, 2 AA batteries, manual and manufacturer's certificate; all in a rugged plastic carrying case. Delivery schedule varies depending on the probe. Carrying pouch optional.



PHYNIX



Physikalische Oberflächen-Messtechnik
Physical Surface Testing Technology

PHYNIX GmbH & Co. KG

Alexe-Altenkirch-Straße 3

50739 Köln, Germany

Phone +49(0)221/17964-30

info@phynix.de

Fax +49(0)221/17964-35

www.phynix.de