

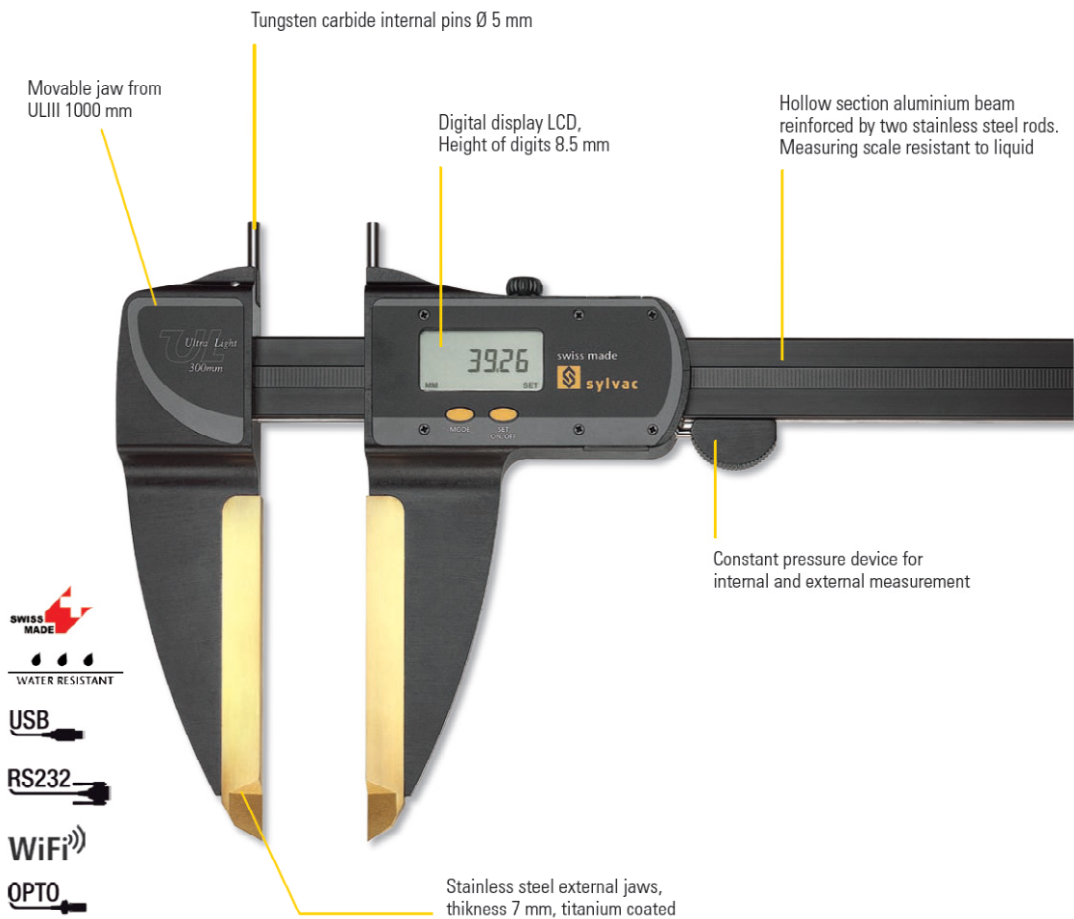


# Ultra light caliper

# S\_Cal UL

## DESCRIPTION

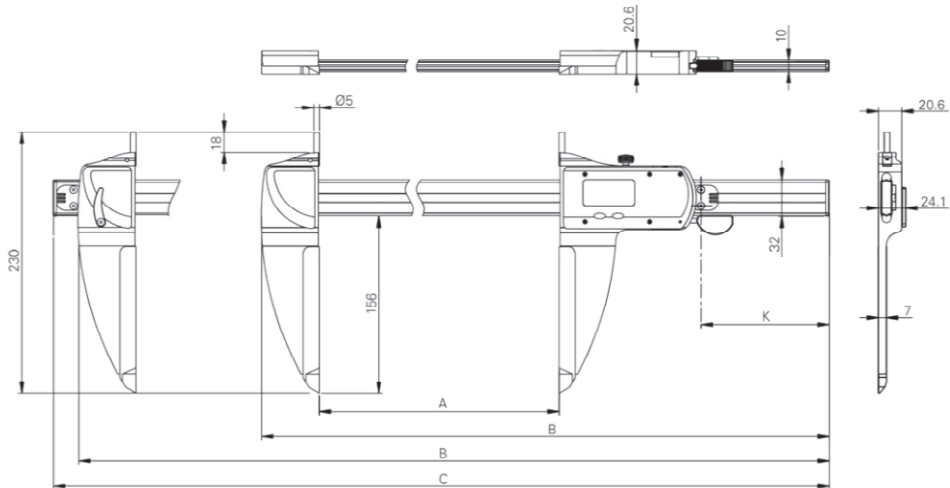
- Battery life : 3'300 hours continuous
- Maximum velocity of displacement : 1.55 m/s
- Internal and external measurement
- Perfect guidance of the jaws, beam protected against shocks
- Display of upper and lower tolerances
- Extremely light instrument



# Ultra light caliper

# S\_Cal UL

## DIMENSIONAL DRAWING



## TECHNICAL SPECIFICATIONS

		911.1403	911.1406	911.1410	911.1415	911.1420	911.1425	911.1430
Measuring range	mm	300	600	1000	1500	2000	2500	3000
Max. Error	µm	30	40	60	120	150	200	250
Repeatability	µm	20	20	20	20	30	30	30
A	mm	330	630	1015	1525	2025	2535	3040
B fix	mm	618	918	)	)	)	)	)
C mobile	mm	)	)	1306	1806	2306	2806	3306
K	mm	110	110	90	90	80	70	65
Weight	kg	1.1	1.3	1.6	2	2.3	2.6	3
S_Connect : Opto		USB / RS232 / Digimatic / Wireless <sup>2)</sup>						
Setting by PC					•			
Memory set					•			
2 references					•			
RESET function					•			
Min/Max function					•			
Tolerance limit indicators					•			

<sup>1)</sup> on request

<sup>2)</sup> see cable chapter